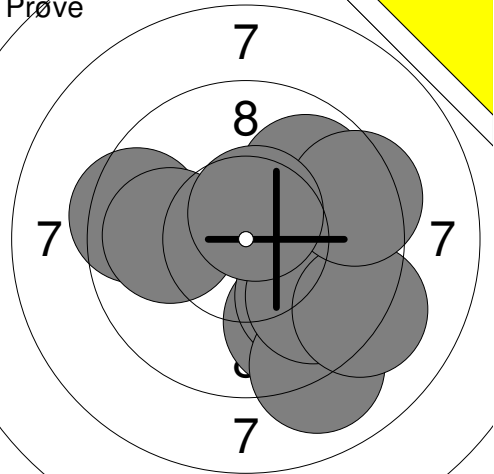
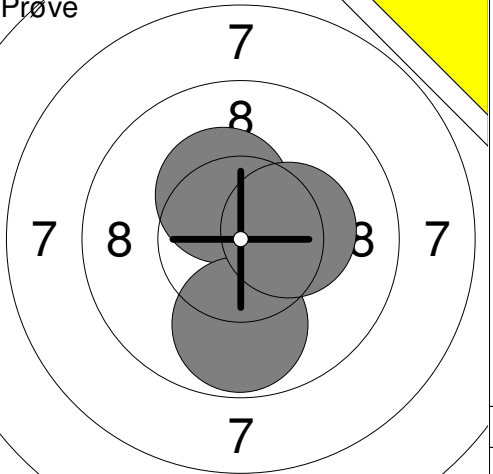
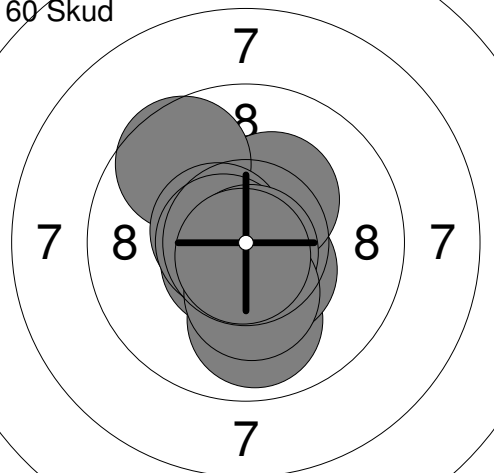
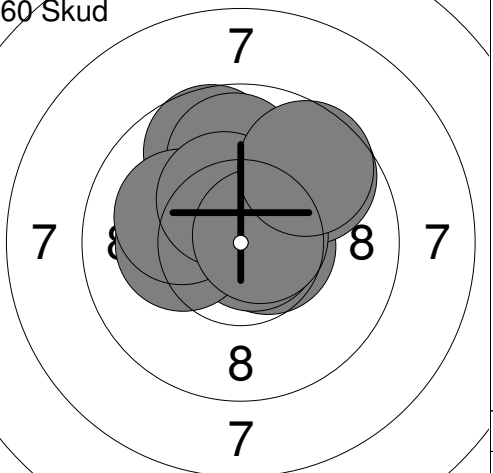
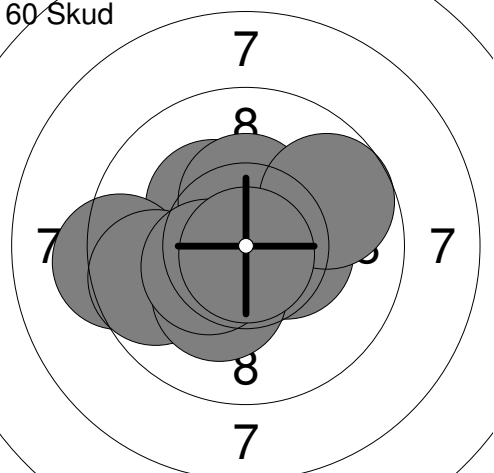
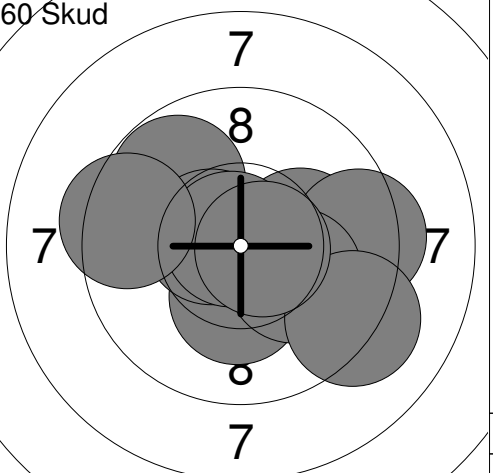
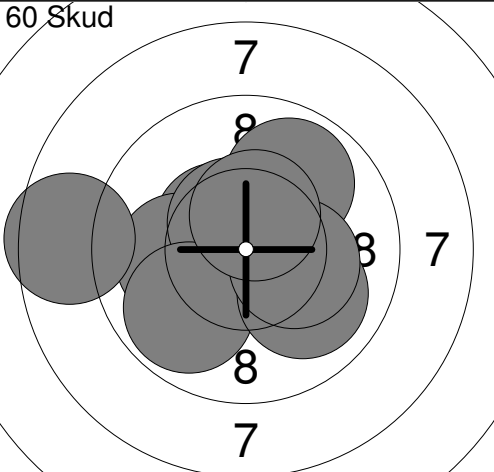
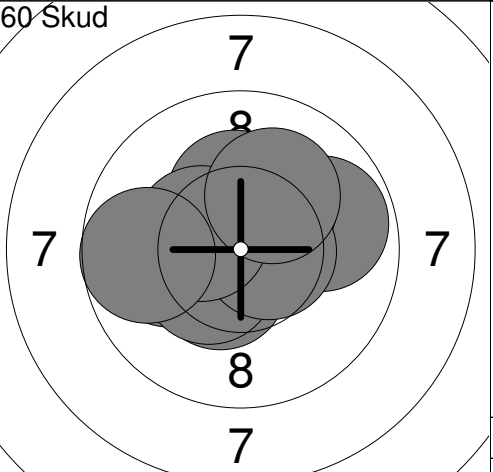
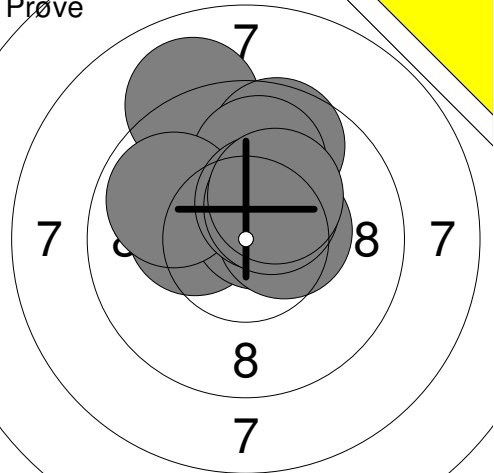
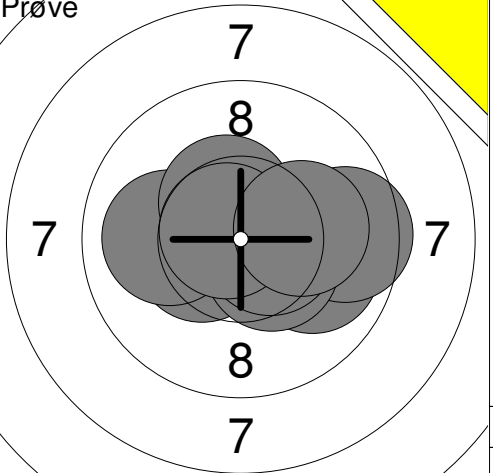
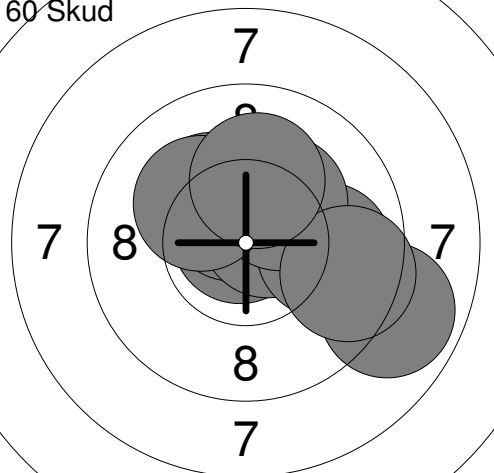
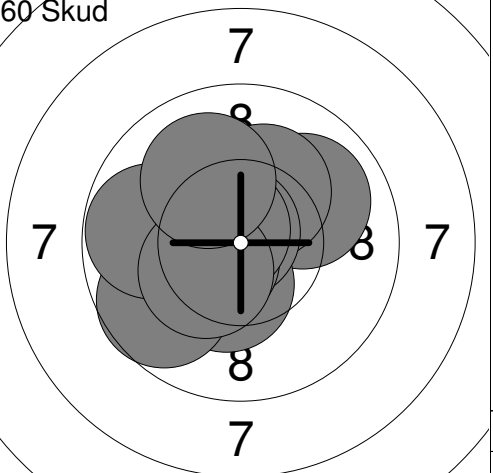
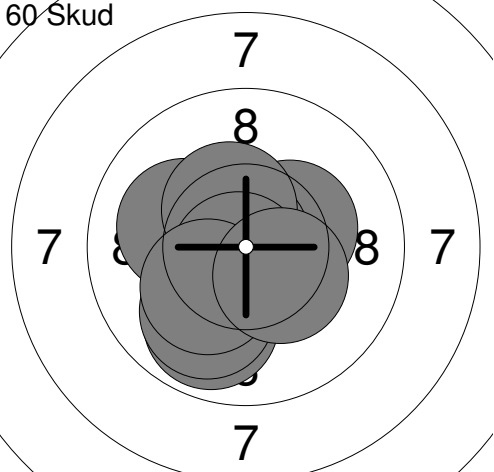
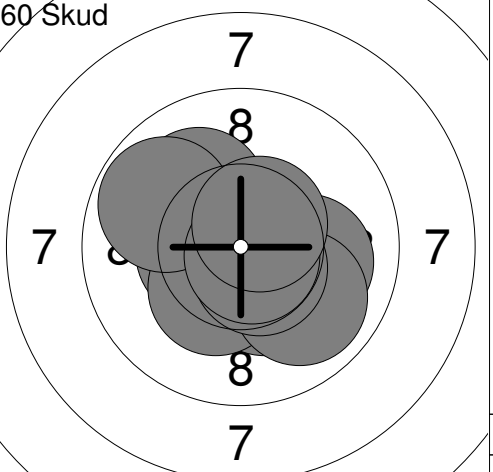
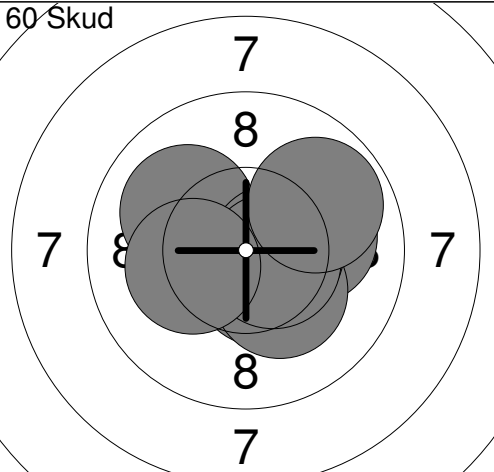
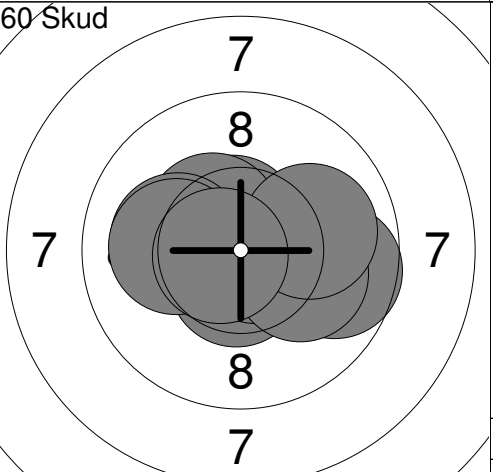


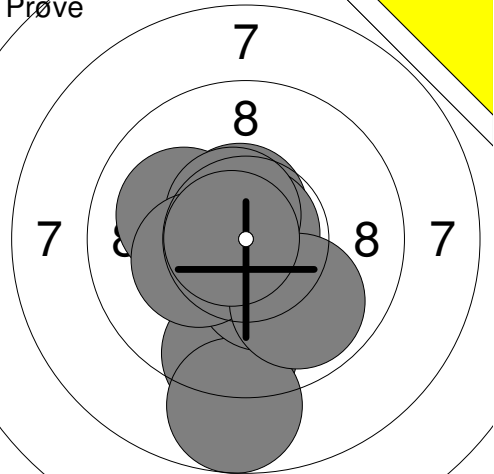
Prøve 	1: 9.5 ← 2: 9.7 ↓ 3: 9.9 ← 4: 9.9 ↓ 5: 9.0 ↓ 6: 9.8 ↓ 7: 9.2 ↓ 8: 9.9 ↗ 9: 9.4 → 10: 10.6x ↑ <hr/> Serie 96.9 Total 0.0	Prøve 	11: 10.3x ↑ 12: 9.8 ↓ 13: 10.3x → <hr/> Serie 30.4 Total 0.0
---	--	---	--

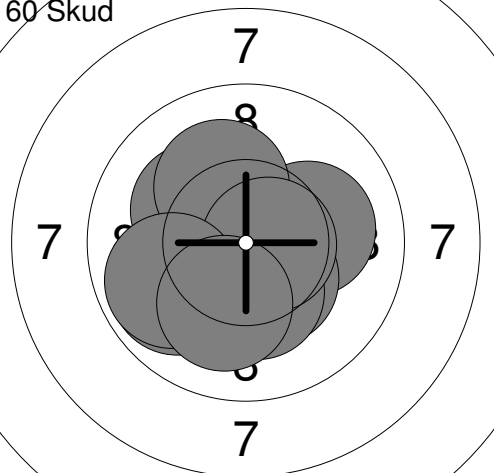
60 Skud 	1: 9.9 ↓ 2: 10.5x ↓ 3: 10.3x ↗ 4: 9.6 ↗ 5: 10.5x ↗ 6: 10.6x ↓ 7: 10.6x ← 8: 10.8x ↓ 9: 10.3x ↓ 10: 10.8x ↓ <hr/> Serie 103.9 Total 103.9	60 Skud 	11: 10.6x → 12: 9.7 ↑ 13: 10.8x → 14: 10.2x ← 15: 9.7 ↗ 16: 9.9 ↑ 17: 10.1 ← 18: 10.3x ↑ 19: 10.7x → 20: 9.6 ↗ <hr/> Serie 101.6 Total 205.5
--	---	--	---

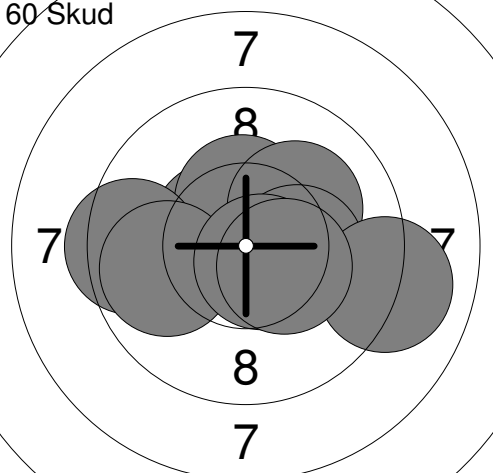
60 Skud 	21: 10.5x ↗ 22: 10.3x ↗ 23: 10.4x → 24: 9.3 ← 25: 10.4x ↑ 26: 9.7 ↗ 27: 9.7 ← 28: 10.2x ↓ 29: 10.4x ← 30: 10.8x ↓ <hr/> Serie 101.7 Total 307.2	60 Skud 	31: 10.2x → 32: 9.4 → 33: 9.8 ↗ 34: 10.3x ↓ 35: 10.1 ↓ 36: 10.5x ← 37: 9.2 ↓ 38: 10.8x ↗ 39: 9.4 ← 40: 10.7x → <hr/> Serie 100.4 Total 407.6
---	--	---	---

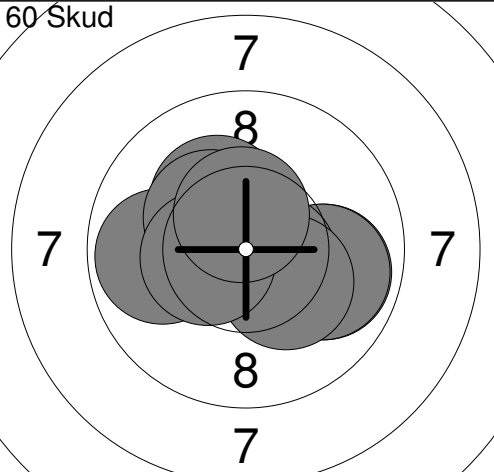
60 Skud 	41: 9.9 ↗ 42: 10.7x ↑ 43: 10.5x ↗ 44: 10.1 ← 45: 8.5 ← 46: 10.5x ↗ 47: 9.8 ↓ 48: 10.0 ↓ 49: 10.3x → 50: 10.5x ↑ <hr/> Serie 100.8 Total 508.4	60 Skud 	51: 9.8 → 52: 10.4x ↓ 53: 10.0 ← 54: 10.2x ↗ 55: 10.4x ↓ 56: 10.3x ↑ 57: 10.6x → 58: 10.4x ← 59: 9.7 ← 60: 10.1 ↗ <hr/> Serie 101.9 Total 610.3
---	--	---	--

Hold	Skive	Alexander Helleskov	
104	2		
10m	Trehøje Skytteforening		
14.12.2013	Øvelsesnavn 11	Aalborg Skyttekreds	
Prøve		1: 9.0 ↗ 2: 9.6 ↗ 3: 10.3x ← 4: 9.9 ↗ 5: 10.7x ↗ 6: 9.9 ← 7: 10.4x → 8: 10.4x ↗ 9: 10.4x ↗ 10: 10.3x ↗ Serie 100.9 Total 0.0	Prøve  11: 10.6x ↗ 12: 9.9 → 13: 10.4x ← 14: 9.6 → 15: 10.0 ← 16: 10.4x ↗ 17: 10.4x ↘ 18: 10.5x → 19: 10.7x ← 20: 10.1 → Serie 102.6 Total 0.0
60 Skud		1: 10.8x ↗ 2: 10.2x ↗ 3: 10.5x ↗ 4: 10.6x → 5: 9.9 → 6: 10.3x ↗ 7: 8.9 ↘ 8: 9.5 → 9: 10.2x ↗ 10: 10.1 ↗ Serie 101.0 Total 101.0	60 Skud  11: 10.0 ↗ 12: 10.2x ↗ 13: 10.4x ↓ 14: 9.7 ← 15: 10.8x ↗ 16: 10.5x ← 17: 10.7x ↗ 18: 9.8 ← 19: 10.4x ↘ 20: 10.0 ↗ Serie 102.5 Total 203.5
60 Skud		21: 10.3x → 22: 9.9 ↓ 23: 10.9x ↗ 24: 10.0 ↓ 25: 10.1 ← 26: 10.4x ↗ 27: 10.6x ↓ 28: 10.8x ↓ 29: 10.2x ↘ 30: 10.4x ↘ Serie 103.6 Total 307.1	60 Skud  31: 10.3x ↓ 32: 10.1 → 33: 10.5x ← 34: 10.3x ↓ 35: 10.1 ↗ 36: 9.9 ↘ 37: 9.8 ↗ 38: 10.6x ↓ 39: 10.8x ↓ 40: 10.6x ↗ Serie 103.0 Total 410.1
60 Skud		41: 10.7x ↓ 42: 10.0 ↗ 43: 10.5x ↓ 44: 10.6x ↓ 45: 10.1 → 46: 10.3x ↓ 47: 10.5x → 48: 10.6x → 49: 9.9 ↗ 50: 10.2x ← Serie 103.4 Total 513.5	60 Skud  51: 10.6x ↓ 52: 10.6x ↗ 53: 10.7x → 54: 10.4x ↗ 55: 10.1 ← 56: 10.1 ← 57: 9.7 → 58: 10.1 → 59: 10.0 → 60: 10.7x ← Serie 103.0 Total 616.5

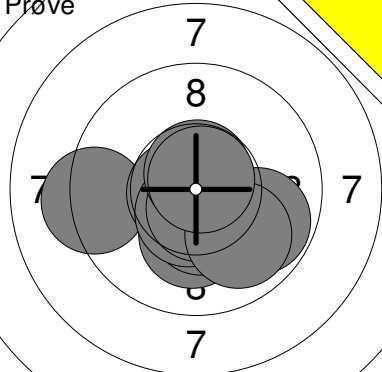
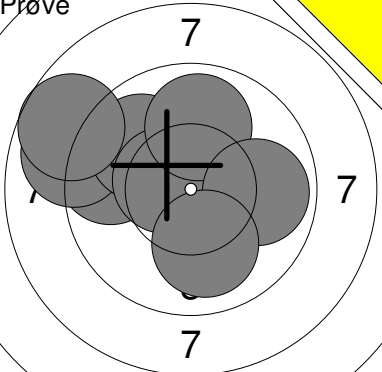
Prøve		Prøve																																																									
	<table style="width:100%; border-collapse: collapse;"> <tr><td>1:</td><td>9.4</td><td>↓</td></tr> <tr><td>2:</td><td>8.7</td><td>↓</td></tr> <tr><td>3:</td><td>10.6x</td><td>↑</td></tr> <tr><td>4:</td><td>10.3x</td><td>↓</td></tr> <tr><td>5:</td><td>10.8x</td><td>↗</td></tr> <tr><td>6:</td><td>10.1</td><td>←</td></tr> <tr><td>7:</td><td>10.6x</td><td>↗</td></tr> <tr><td>8:</td><td>10.3x</td><td>←</td></tr> <tr><td>9:</td><td>9.9</td><td>↓</td></tr> <tr><td>10:</td><td>10.8x</td><td>←</td></tr> <tr><td colspan="2">Serie</td><td>101.5</td></tr> <tr><td colspan="2">Total</td><td>0.0</td></tr> </table>	1:	9.4	↓	2:	8.7	↓	3:	10.6x	↑	4:	10.3x	↓	5:	10.8x	↗	6:	10.1	←	7:	10.6x	↗	8:	10.3x	←	9:	9.9	↓	10:	10.8x	←	Serie		101.5	Total		0.0	<table style="width:100%; border-collapse: collapse;"> <tr><td>11:</td><td>10.3x</td><td>→</td></tr> <tr><td>12:</td><td>10.6x</td><td>←</td></tr> <tr><td>13:</td><td>10.4x</td><td>↓</td></tr> <tr><td>14:</td><td>9.9</td><td>←</td></tr> <tr><td>15:</td><td>10.7x</td><td>↗</td></tr> <tr><td colspan="2">Serie</td><td>51.9</td></tr> <tr><td colspan="2">Total</td><td>0.0</td></tr> </table>	11:	10.3x	→	12:	10.6x	←	13:	10.4x	↓	14:	9.9	←	15:	10.7x	↗	Serie		51.9	Total		0.0
1:	9.4	↓																																																									
2:	8.7	↓																																																									
3:	10.6x	↑																																																									
4:	10.3x	↓																																																									
5:	10.8x	↗																																																									
6:	10.1	←																																																									
7:	10.6x	↗																																																									
8:	10.3x	←																																																									
9:	9.9	↓																																																									
10:	10.8x	←																																																									
Serie		101.5																																																									
Total		0.0																																																									
11:	10.3x	→																																																									
12:	10.6x	←																																																									
13:	10.4x	↓																																																									
14:	9.9	←																																																									
15:	10.7x	↗																																																									
Serie		51.9																																																									
Total		0.0																																																									

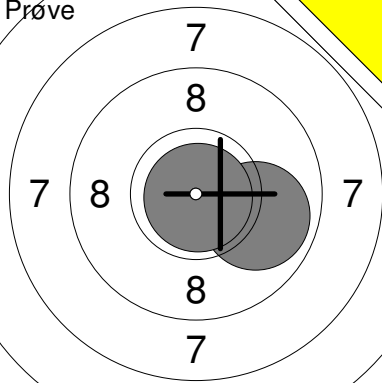
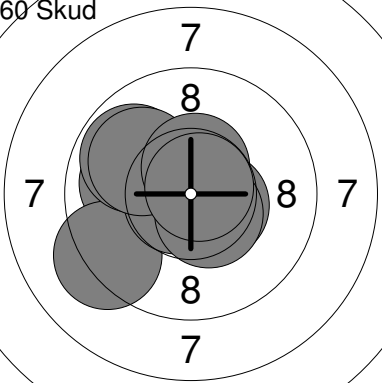
60 Skud		60 Skud																																																																								
	<table style="width:100%; border-collapse: collapse;"> <tr><td>1:</td><td>10.6x</td><td>↗</td></tr> <tr><td>2:</td><td>10.1</td><td>→</td></tr> <tr><td>3:</td><td>10.2x</td><td>↗</td></tr> <tr><td>4:</td><td>10.2x</td><td>↗</td></tr> <tr><td>5:</td><td>10.4x</td><td>↓</td></tr> <tr><td>6:</td><td>9.9</td><td>←</td></tr> <tr><td>7:</td><td>10.3x</td><td>↓</td></tr> <tr><td>8:</td><td>10.6x</td><td>→</td></tr> <tr><td>9:</td><td>9.9</td><td>←</td></tr> <tr><td>10:</td><td>10.1</td><td>↓</td></tr> <tr><td colspan="2">Serie</td><td>102.3</td></tr> <tr><td colspan="2">Total</td><td>102.3</td></tr> </table>	1:	10.6x	↗	2:	10.1	→	3:	10.2x	↗	4:	10.2x	↗	5:	10.4x	↓	6:	9.9	←	7:	10.3x	↓	8:	10.6x	→	9:	9.9	←	10:	10.1	↓	Serie		102.3	Total		102.3	<table style="width:100%; border-collapse: collapse;"> <tr><td>11:</td><td>9.9</td><td>←</td></tr> <tr><td>12:</td><td>10.1</td><td>←</td></tr> <tr><td>13:</td><td>10.4x</td><td>←</td></tr> <tr><td>14:</td><td>10.6x</td><td>←</td></tr> <tr><td>15:</td><td>10.4x</td><td>↑</td></tr> <tr><td>16:</td><td>10.1</td><td>←</td></tr> <tr><td>17:</td><td>10.1</td><td>↗</td></tr> <tr><td>18:</td><td>10.6x</td><td>↗</td></tr> <tr><td>19:</td><td>10.5x</td><td>←</td></tr> <tr><td>20:</td><td>9.8</td><td>→</td></tr> <tr><td colspan="2">Serie</td><td>102.5</td></tr> <tr><td colspan="2">Total</td><td>204.8</td></tr> </table>	11:	9.9	←	12:	10.1	←	13:	10.4x	←	14:	10.6x	←	15:	10.4x	↑	16:	10.1	←	17:	10.1	↗	18:	10.6x	↗	19:	10.5x	←	20:	9.8	→	Serie		102.5	Total		204.8
1:	10.6x	↗																																																																								
2:	10.1	→																																																																								
3:	10.2x	↗																																																																								
4:	10.2x	↗																																																																								
5:	10.4x	↓																																																																								
6:	9.9	←																																																																								
7:	10.3x	↓																																																																								
8:	10.6x	→																																																																								
9:	9.9	←																																																																								
10:	10.1	↓																																																																								
Serie		102.3																																																																								
Total		102.3																																																																								
11:	9.9	←																																																																								
12:	10.1	←																																																																								
13:	10.4x	←																																																																								
14:	10.6x	←																																																																								
15:	10.4x	↑																																																																								
16:	10.1	←																																																																								
17:	10.1	↗																																																																								
18:	10.6x	↗																																																																								
19:	10.5x	←																																																																								
20:	9.8	→																																																																								
Serie		102.5																																																																								
Total		204.8																																																																								

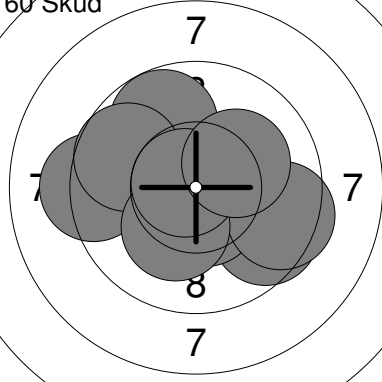
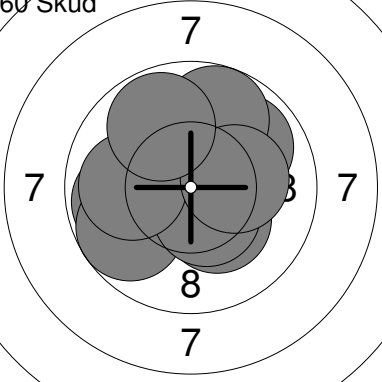
60 Skud		60 Skud																																																																								
	<table style="width:100%; border-collapse: collapse;"> <tr><td>21:</td><td>10.5x</td><td>↖</td></tr> <tr><td>22:</td><td>10.5x</td><td>↗</td></tr> <tr><td>23:</td><td>10.4x</td><td>↑</td></tr> <tr><td>24:</td><td>10.1</td><td>↗</td></tr> <tr><td>25:</td><td>10.3x</td><td>→</td></tr> <tr><td>26:</td><td>9.4</td><td>←</td></tr> <tr><td>27:</td><td>9.9</td><td>←</td></tr> <tr><td>28:</td><td>10.7x</td><td>↓</td></tr> <tr><td>29:</td><td>9.0</td><td>→</td></tr> <tr><td>30:</td><td>10.4x</td><td>↘</td></tr> <tr><td colspan="2">Serie</td><td>101.2</td></tr> <tr><td colspan="2">Total</td><td>306.0</td></tr> </table>	21:	10.5x	↖	22:	10.5x	↗	23:	10.4x	↑	24:	10.1	↗	25:	10.3x	→	26:	9.4	←	27:	9.9	←	28:	10.7x	↓	29:	9.0	→	30:	10.4x	↘	Serie		101.2	Total		306.0	<table style="width:100%; border-collapse: collapse;"> <tr><td>31:</td><td>10.3x</td><td>↓</td></tr> <tr><td>32:</td><td>10.1</td><td>←</td></tr> <tr><td>33:</td><td>10.4x</td><td>→</td></tr> <tr><td>34:</td><td>10.4x</td><td>↓</td></tr> <tr><td>35:</td><td>10.5x</td><td>←</td></tr> <tr><td>36:</td><td>10.6x</td><td>↓</td></tr> <tr><td>37:</td><td>10.4x</td><td>↓</td></tr> <tr><td>38:</td><td>10.6x</td><td>←</td></tr> <tr><td>39:</td><td>10.2x</td><td>↗</td></tr> <tr><td>40:</td><td>10.8x</td><td>↑</td></tr> <tr><td colspan="2">Serie</td><td>104.3</td></tr> <tr><td colspan="2">Total</td><td>410.3</td></tr> </table>	31:	10.3x	↓	32:	10.1	←	33:	10.4x	→	34:	10.4x	↓	35:	10.5x	←	36:	10.6x	↓	37:	10.4x	↓	38:	10.6x	←	39:	10.2x	↗	40:	10.8x	↑	Serie		104.3	Total		410.3
21:	10.5x	↖																																																																								
22:	10.5x	↗																																																																								
23:	10.4x	↑																																																																								
24:	10.1	↗																																																																								
25:	10.3x	→																																																																								
26:	9.4	←																																																																								
27:	9.9	←																																																																								
28:	10.7x	↓																																																																								
29:	9.0	→																																																																								
30:	10.4x	↘																																																																								
Serie		101.2																																																																								
Total		306.0																																																																								
31:	10.3x	↓																																																																								
32:	10.1	←																																																																								
33:	10.4x	→																																																																								
34:	10.4x	↓																																																																								
35:	10.5x	←																																																																								
36:	10.6x	↓																																																																								
37:	10.4x	↓																																																																								
38:	10.6x	←																																																																								
39:	10.2x	↗																																																																								
40:	10.8x	↑																																																																								
Serie		104.3																																																																								
Total		410.3																																																																								

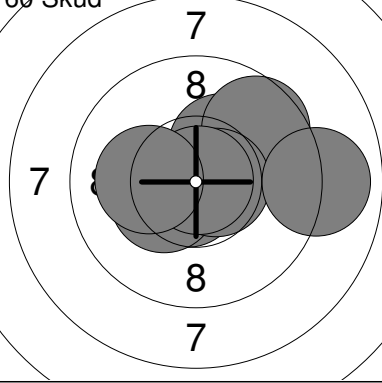
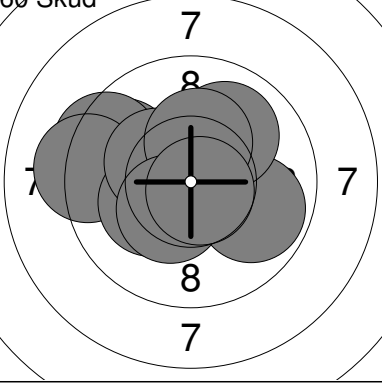
60 Skud		60 Skud																																																																								
	<table style="width:100%; border-collapse: collapse;"> <tr><td>41:</td><td>9.9</td><td>→</td></tr> <tr><td>42:</td><td>9.9</td><td>→</td></tr> <tr><td>43:</td><td>10.6x</td><td>↘</td></tr> <tr><td>44:</td><td>10.3x</td><td>↖</td></tr> <tr><td>45:</td><td>10.3x</td><td>↓</td></tr> <tr><td>46:</td><td>10.2x</td><td>↗</td></tr> <tr><td>47:</td><td>9.8</td><td>←</td></tr> <tr><td>48:</td><td>10.3x</td><td>↗</td></tr> <tr><td>49:</td><td>10.4x</td><td>←</td></tr> <tr><td>50:</td><td>10.5x</td><td>↑</td></tr> <tr><td colspan="2">Serie</td><td>102.2</td></tr> <tr><td colspan="2">Total</td><td>512.5</td></tr> </table>	41:	9.9	→	42:	9.9	→	43:	10.6x	↘	44:	10.3x	↖	45:	10.3x	↓	46:	10.2x	↗	47:	9.8	←	48:	10.3x	↗	49:	10.4x	←	50:	10.5x	↑	Serie		102.2	Total		512.5	<table style="width:100%; border-collapse: collapse;"> <tr><td>51:</td><td>10.2x</td><td>↘</td></tr> <tr><td>52:</td><td>10.3x</td><td>↗</td></tr> <tr><td>53:</td><td>10.0</td><td>↗</td></tr> <tr><td>54:</td><td>10.2x</td><td>↗</td></tr> <tr><td>55:</td><td>9.5</td><td>↓</td></tr> <tr><td>56:</td><td>9.5</td><td>→</td></tr> <tr><td>57:</td><td>10.3x</td><td>←</td></tr> <tr><td>58:</td><td>10.7x</td><td>↓</td></tr> <tr><td>59:</td><td>9.8</td><td>←</td></tr> <tr><td>60:</td><td>9.8</td><td>→</td></tr> <tr><td colspan="2">Serie</td><td>100.3</td></tr> <tr><td colspan="2">Total</td><td>612.8</td></tr> </table>	51:	10.2x	↘	52:	10.3x	↗	53:	10.0	↗	54:	10.2x	↗	55:	9.5	↓	56:	9.5	→	57:	10.3x	←	58:	10.7x	↓	59:	9.8	←	60:	9.8	→	Serie		100.3	Total		612.8
41:	9.9	→																																																																								
42:	9.9	→																																																																								
43:	10.6x	↘																																																																								
44:	10.3x	↖																																																																								
45:	10.3x	↓																																																																								
46:	10.2x	↗																																																																								
47:	9.8	←																																																																								
48:	10.3x	↗																																																																								
49:	10.4x	←																																																																								
50:	10.5x	↑																																																																								
Serie		102.2																																																																								
Total		512.5																																																																								
51:	10.2x	↘																																																																								
52:	10.3x	↗																																																																								
53:	10.0	↗																																																																								
54:	10.2x	↗																																																																								
55:	9.5	↓																																																																								
56:	9.5	→																																																																								
57:	10.3x	←																																																																								
58:	10.7x	↓																																																																								
59:	9.8	←																																																																								
60:	9.8	→																																																																								
Serie		100.3																																																																								
Total		612.8																																																																								

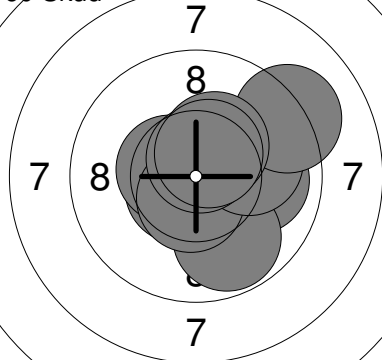
Hold	Skive	Diana Henriksen	
104	4		
10m	Trehøje Skytteforening		
14.12.2013	Øvelsesnavn 11	Aalborg Skyttekreds	
Prøve		1: 10.3x ↑ 2: 10.8x ↑ 3: 10.5x ↑ 4: 9.8 ↓ 5: 9.6 ↓ 6: 9.3 ← 7: 10.0 ↓ 8: 9.8 ↑ 9: 9.3 ↑ 10: 10.5x → Serie 99.9 Total 0.0	Prøve
			11: 10.2x ↓ 12: 10.8x ↑ 13: 10.7x ← 14: 9.9 ↑ 15: 10.3x → 16: 9.7 → 17: 10.1 ↑ 18: 10.1 ↑ Serie 81.8 Total 0.0
60 Skud		1: 10.0 ↓ 2: 9.8 ↓ 3: 8.9 ↑ 4: 10.4x ↑ 5: 9.9 ↑ 6: 10.8x ↓ 7: 10.4x ← 8: 10.2x ↑ 9: 10.6x → 10: 10.5x ↓ Serie 101.5 Total 101.5	60 Skud
			11: 10.7x ← 12: 10.2x ↑ 13: 9.9 ↑ 14: 10.6x → 15: 10.7x → 16: 10.4x → 17: 9.9 ↑ 18: 9.2 ↑ 19: 10.0 ↓ 20: 10.6x ↑ Serie 102.2 Total 203.7
60 Skud		21: 10.6x ↓ 22: 9.9 ↑ 23: 10.4x ↑ 24: 10.8x → 25: 10.8x ↑ 26: 10.7x ↑ 27: 10.4x ↓ 28: 10.5x ↑ 29: 10.2x ↑ 30: 10.2x ← Serie 104.5 Total 308.2	60 Skud
			31: 10.3x ← 32: 10.2x → 33: 10.2x ↓ 34: 9.5 ↓ 35: 10.6x ↑ 36: 10.9x ↑ 37: 10.6x ← 38: 10.3x ↓ 39: 9.6 ← 40: 10.1 ↓ Serie 102.3 Total 410.5
60 Skud		41: 10.5x → 42: 9.9 ↓ 43: 9.8 ↑ 44: 9.8 ↓ 45: 10.8x ← 46: 10.4x ↑ 47: 9.5 ↑ 48: 10.0 ↓ 49: 10.6x ↑ 50: 9.7 ↑ Serie 101.0 Total 511.5	60 Skud
			51: 10.5x ↓ 52: 9.9 → 53: 10.1 → 54: 9.9 ↓ 55: 10.6x ↓ 56: 10.4x ← 57: 10.5x ← 58: 10.3x ↑ 59: 9.5 ← 60: 10.8x → Serie 102.5 Total 614.0

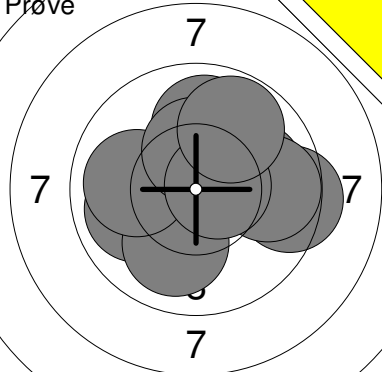
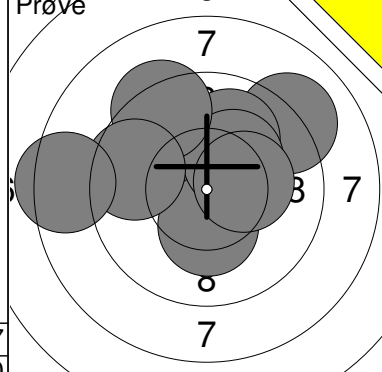
Prøve 	1: 9.8 → 2: 10.2x ↓ 3: 9.3 ← 4: 10.4x ↓ 5: 10.7x ← 6: 10.5x ↓ 7: 10.6x ↓ 8: 9.9 ↓ 9: 10.7x ↑ 10: 10.8x ↗	Prøve 	11: 9.6 ← 12: 10.1 ↑ 13: 10.3x ↗ 14: 8.9 ↖ 15: 9.9 ↗ 16: 10.5x ↗ 17: 9.9 ↑ 18: 9.9 → 19: 10.0 ↓ 20: 8.7 ↖
Serie 102.9 Total 0.0		Serie 97.8 Total 0.0	

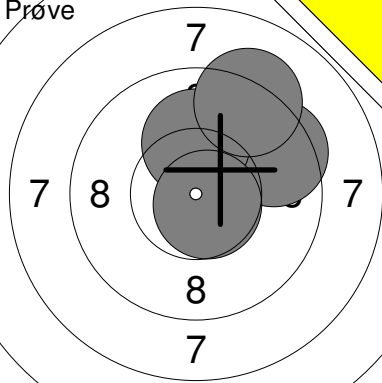
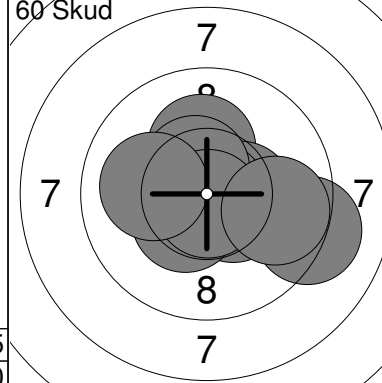
Prøve 	21: 9.9 → 22: 10.9x ↓	60 Skud 	1: 10.8x ↑ 2: 10.0 ← 3: 9.2 ↙ 4: 9.8 ↗ 5: 10.7x ← 6: 10.5x ↓ 7: 10.5x ↓ 8: 10.0 ↗ 9: 10.5x ↑ 10: 10.8x ↗
Serie 20.8 Total 0.0		Serie 102.8 Total 102.8	

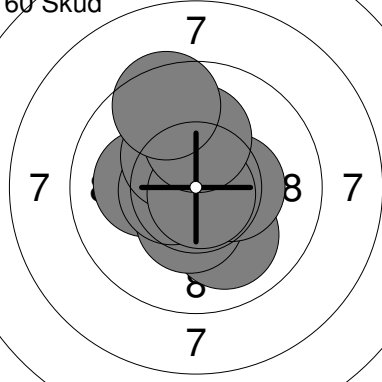
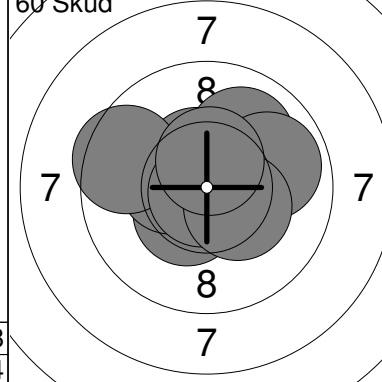
60 Skud 	11: 9.3 ← 12: 9.8 ↗ 13: 10.5x → 14: 9.6 ↓ 15: 10.5x ↓ 16: 9.5 → 17: 9.7 ↗ 18: 10.2x ↓ 19: 10.8x ↖ 20: 10.2x ↗	60 Skud 	21: 9.9 ↗ 22: 10.3x ↓ 23: 10.3x ↑ 24: 9.8 ← 25: 9.8 ↑ 26: 9.8 ↙ 27: 10.5x ↓ 28: 10.0 ← 29: 10.2x → 30: 9.8 ↗
Serie 100.1 Total 202.9		Serie 100.4 Total 303.3	

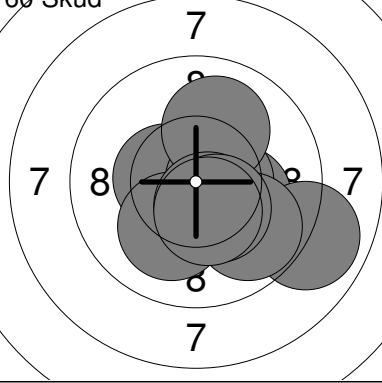
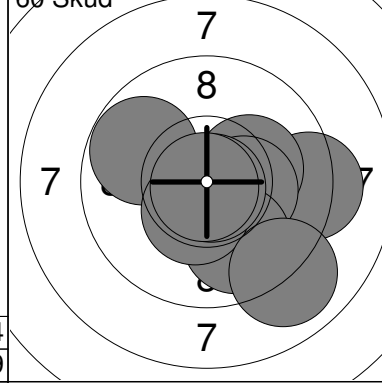
60 Skud 	31: 10.9x → 32: 10.6x ← 33: 10.2x ↗ 34: 10.7x ↙ 35: 10.3x ← 36: 9.6 ↗ 37: 10.6x → 38: 9.0 → 39: 10.9x → 40: 10.2x ←	60 Skud 	41: 9.7 ↖ 42: 9.4 ↗ 43: 9.2 ← 44: 10.2x ↙ 45: 9.9 → 46: 10.0 ↗ 47: 10.3x ↗ 48: 10.3x ↑ 49: 10.4x ↙ 50: 10.7x ↓
Serie 103.0 Total 406.3		Serie 100.1 Total 506.4	

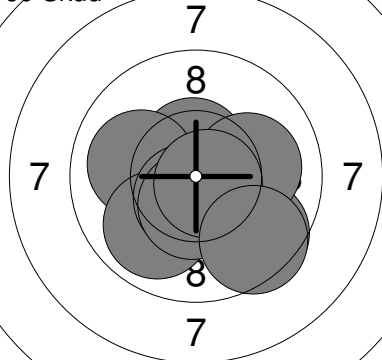
60 Skud 	51: 10.0 → 52: 10.6x ↙ 53: 10.5x ← 54: 9.8 ↓ 55: 10.6x ↓ 56: 10.0 → 57: 10.6x ↑ 58: 9.2 ↗ 59: 10.4x ↗ 60: 10.5x ↗		
Serie 102.2 Total 608.6			

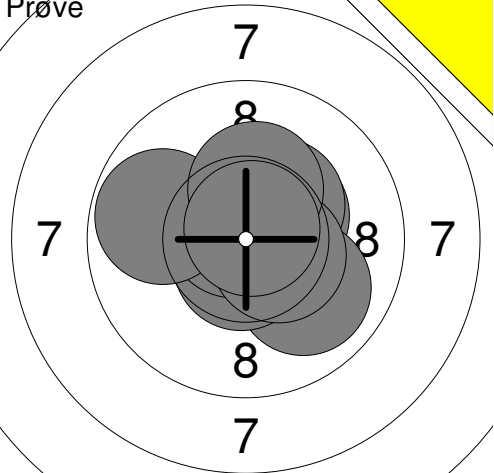
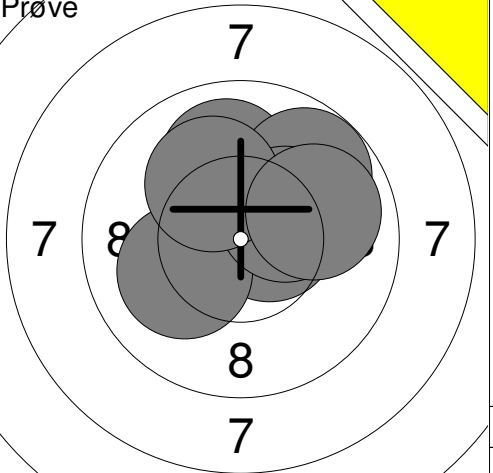
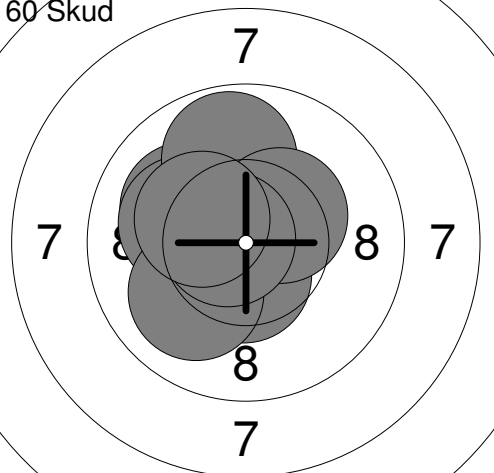
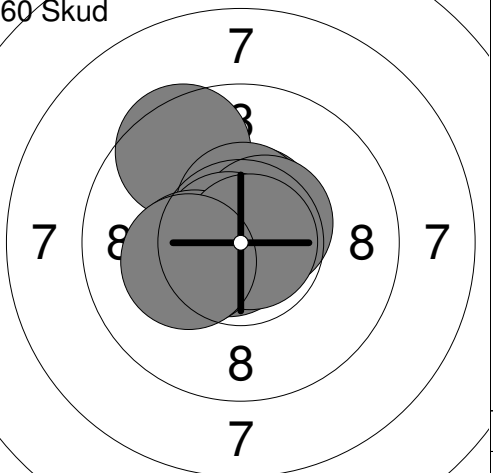
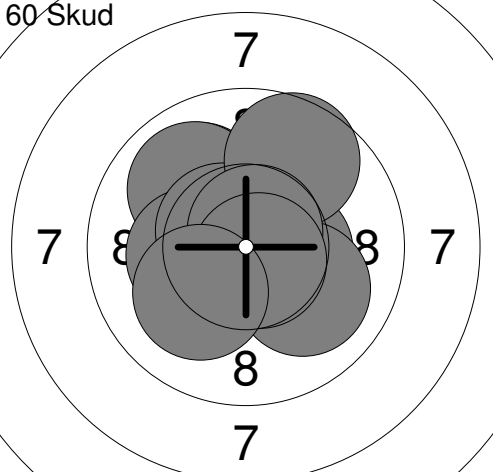
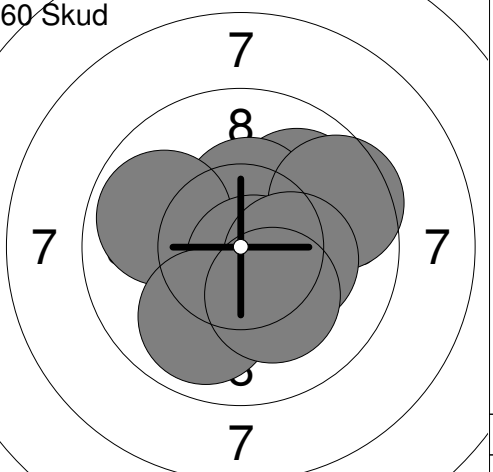
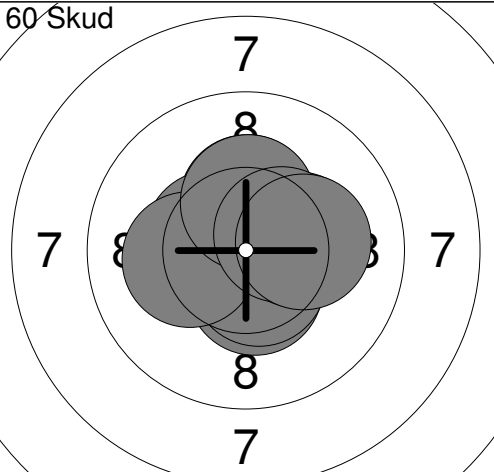
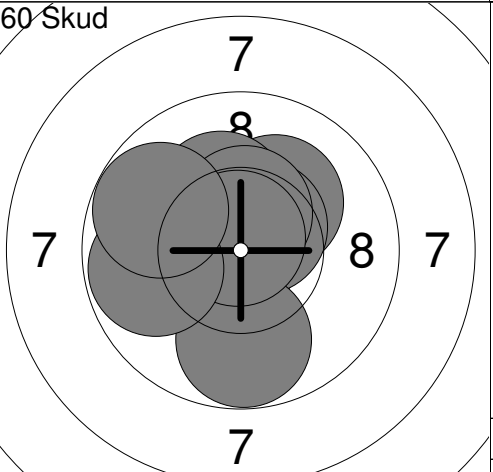
Prøve 	1: 9.9 ← 2: 10.0 ↓ 3: 10.0 ← 4: 9.4 → 5: 10.0 → 6: 9.8 → 7: 9.9 ↑ 8: 10.3x ↑ 9: 10.6x → 10: 9.8 ↗ <hr/> Serie 99.7 Total 0.0	Prøve 	11: 9.1 ↗ 12: 10.4x ↑ 13: 10.0 ↗ 14: 10.3x ↓ 15: 10.0 ↑ 16: 10.2x ↗ 17: 9.3 ↗ 18: 9.6 ↗ 19: 10.3x → 20: 8.4 ← <hr/> Serie 97.6 Total 0.0
---	---	---	---

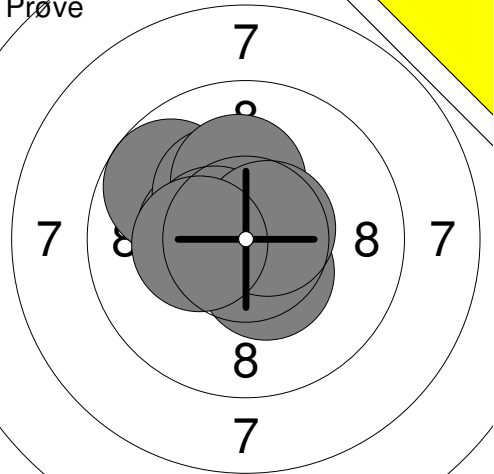
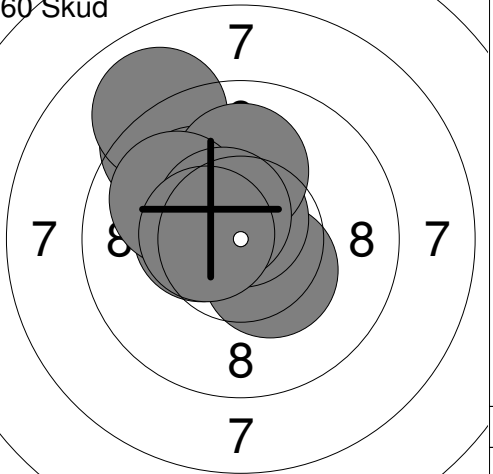
Prøve 	21: 9.5 → 22: 10.1 ↑ 23: 9.2 ↗ 24: 10.7x ↘ <hr/> Serie 39.5 Total 0.0	60 Skud 	1: 10.4x ↘ 2: 10.4x ↘ 3: 10.2x ↑ 4: 10.4x → 5: 10.8x → 6: 10.5x ↗ 7: 10.8x ↓ 8: 10.1 ← 9: 9.2 ↘ 10: 9.8 ↘ <hr/> Serie 102.6 Total 102.6
---	--	---	--

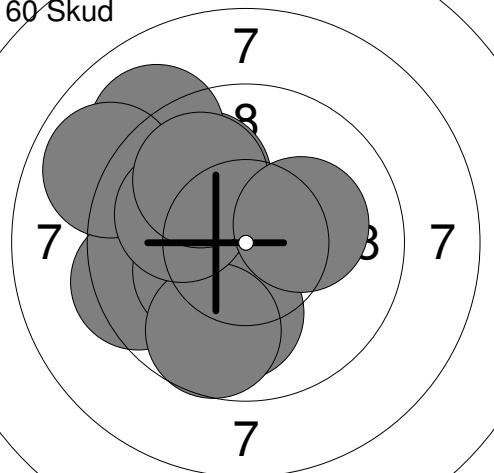
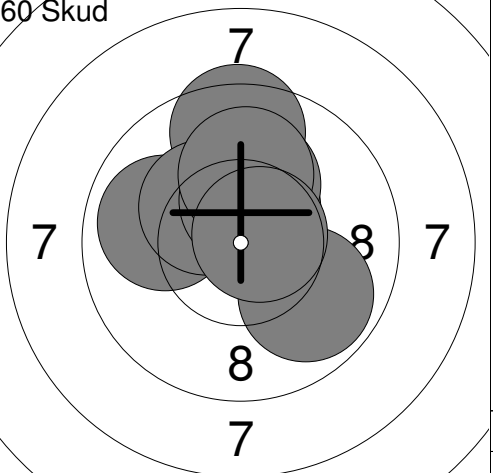
60 Skud 	11: 10.1 ← 12: 10.6x ← 13: 10.0 ↓ 14: 10.4x ↓ 15: 10.4x → 16: 10.6x ← 17: 10.3x ↗ 18: 10.8x ↓ 19: 10.1 ↑ 20: 9.5 ↗ <hr/> Serie 102.8 Total 205.4	60 Skud 	21: 10.5x ↑ 22: 10.4x ↘ 23: 10.0 ↗ 24: 10.4x ← 25: 9.9 → 26: 9.5 ↗ 27: 10.8x → 28: 10.8x ↘ 29: 10.3x ↘ 30: 10.5x ↑ <hr/> Serie 103.1 Total 308.5
---	---	---	---

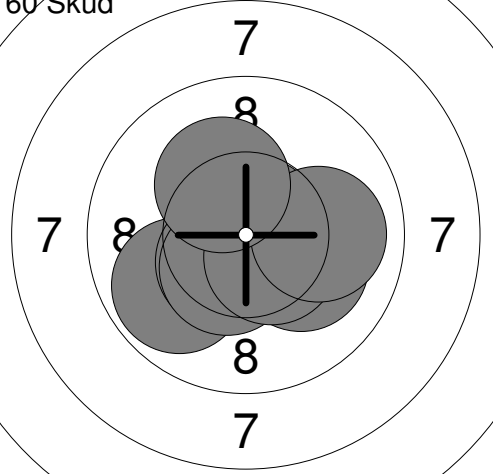
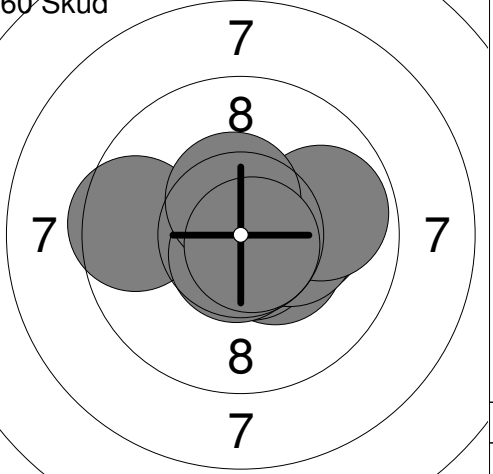
60 Skud 	31: 10.5x ← 32: 10.2x ↘ 33: 10.1 ↘ 34: 10.6x → 35: 10.0 ↗ 36: 10.5x ↓ 37: 8.9 ↘ 38: 9.8 ↘ 39: 10.4x ↘ 40: 10.4x ↘ <hr/> Serie 101.4 Total 409.9	60 Skud 	41: 9.3 → 42: 9.8 ↗ 43: 10.6x ↓ 44: 10.2x → 45: 10.3x → 46: 9.9 ↘ 47: 10.4x ↘ 48: 9.0 ↘ 49: 10.8x ↘ 50: 10.8x ↘ <hr/> Serie 101.1 Total 511.0
---	--	---	--

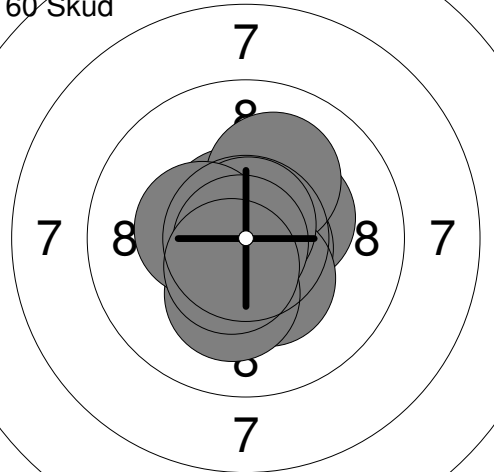
60 Skud 	51: 9.6 ↘ 52: 10.5x ↑ 53: 10.6x ↘ 54: 10.0 ↗ 55: 9.9 ↘ 56: 10.6x ↘ 57: 10.5x ↘ 58: 10.1 → 59: 10.7x ↘ 60: 9.5 ↘ <hr/> Serie 102.0 Total 613.0		
---	--	--	--

Hold	Skive	Erik Skovmand	
104	7		
10m	Viborg Skytteforening		
14.12.2013	Øvelsesnavn 11	Aalborg Skyttekreds	
Prøve		1: 10.4x ↗ 2: 10.4x ↗ 3: 10.0 ↘ 4: 10.3x ↗ 5: 10.6x ↓ 6: 10.8x ↗ 7: 9.8 ← 8: 10.5x → 9: 10.3x ↑ 10: 10.8x ↗ Serie 103.9 Total 0.0	Prøve  11: 10.0 ↑ 12: 10.6x → 13: 10.1 ← 14: 9.8 ↗ 15: 10.3x ↗ 16: 10.1 ↖ 17: 9.9 → Serie 70.8 Total 0.0
60 Skud		1: 10.5x ← 2: 10.1 ← 3: 10.1 ← 4: 10.8x ↗ 5: 10.5x ↓ 6: 9.8 ↑ 7: 10.4x ↗ 8: 10.0 ↘ 9: 10.7x ← 10: 10.3x ↖ Serie 103.2 Total 103.2	60 Skud  11: 10.7x ↑ 12: 10.5x ↑ 13: 9.5 ↖ 14: 10.5x ↑ 15: 10.5x ↗ 16: 10.8x ← 17: 10.8x ← 18: 10.3x ← 19: 10.8x → 20: 10.2x ← Serie 104.6 Total 207.8
60 Skud		21: 10.0 ↗ 22: 9.9 ↗ 23: 10.2x ← 24: 10.4x → 25: 10.6x ↗ 26: 10.0 ↘ 27: 9.7 ↗ 28: 10.7x ↗ 29: 10.7x ↘ 30: 10.1 ↘ Serie 102.3 Total 310.1	60 Skud  31: 10.5x ← 32: 10.6x ↓ 33: 9.9 ↗ 34: 10.4x ↑ 35: 9.6 → 36: 9.9 ← 37: 10.7x ↘ 38: 9.9 ↓ 39: 10.3x → 40: 10.2x ↘ Serie 102.0 Total 412.1
60 Skud		41: 10.8x → 42: 10.3x ↑ 43: 10.5x ↓ 44: 10.5x ← 45: 10.5x ↓ 46: 10.2x ← 47: 10.3x ↑ 48: 10.3x → 49: 10.4x ↗ 50: 10.2x → Serie 104.0 Total 516.1	60 Skud  51: 10.8x ← 52: 10.2x ↗ 53: 10.6x ↗ 54: 10.7x ← 55: 9.8 ↓ 56: 10.2x ↖ 57: 10.5x ↑ 58: 10.8x ↑ 59: 9.8 ← 60: 9.8 ← Serie 103.2 Total 619.3

<p>Prøve</p> 	<p>1: 9.7 ↖ 2: 10.4x ← 3: 10.9x ↓ 4: 10.4x ↓ 5: 10.3x ↗ 6: 10.2x ↑ 7: 10.5x ← 8: 10.6x → 9: 10.3x ←</p> <p>Serie 93.3 Total 0.0</p>	<p>60 Skud</p> 	<p>1: 10.4x ← 2: 9.4 ↗ 3: 10.4x ↓ 4: 9.0 ↗ 5: 10.7x ↑ 6: 10.1 ↗ 7: 10.0 ↑ 8: 10.0 ↖ 9: 10.6x ↗ 10: 10.5x ←</p> <p>Serie 101.1 Total 101.1</p>
---	---	---	---

<p>60 Skud</p> 	<p>11: 9.4 ← 12: 10.2x ← 13: 10.0 ↓ 14: 9.7 ↓ 15: 9.9 ↗ 16: 9.1 ↗ 17: 8.9 ↗ 18: 10.0 ↗ 19: 9.9 ↗ 20: 10.2x →</p> <p>Serie 97.3 Total 198.4</p>	<p>60 Skud</p> 	<p>21: 10.7x ↑ 22: 10.5x ↑ 23: 9.9 ← 24: 9.5 ↑ 25: 10.3x ↗ 26: 10.4x ↑ 27: 10.2x ↑ 28: 9.9 ↓ 29: 10.0 ↑ 30: 10.7x →</p> <p>Serie 102.1 Total 300.5</p>
--	--	--	--

<p>60 Skud</p> 	<p>31: 10.4x → 32: 10.8x ↗ 33: 9.9 ← 34: 10.5x ↓ 35: 10.8x ↑ 36: 10.4x ↓ 37: 10.1 → 38: 10.5x ↓ 39: 10.0 → 40: 10.2x ↗</p> <p>Serie 103.6 Total 404.1</p>	<p>60 Skud</p> 	<p>41: 10.4x ↘ 42: 10.7x ↓ 43: 10.7x ↗ 44: 9.6 ← 45: 10.2x → 46: 10.3x → 47: 10.7x ↓ 48: 9.9 → 49: 10.5x ↑ 50: 10.7x ↘</p> <p>Serie 103.7 Total 507.8</p>
---	---	---	---

<p>60 Skud</p> 	<p>51: 10.3x → 52: 10.7x → 53: 10.6x ↗ 54: 10.1 ↑ 55: 10.3x ↓ 56: 10.2x ↓ 57: 10.8x ↑ 58: 10.4x ← 59: 10.9x ← 60: 10.5x ↓</p> <p>Serie 104.8 Total 612.6</p>		
---	--	--	--

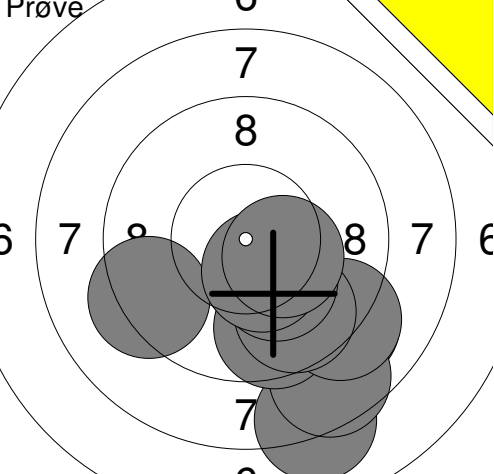
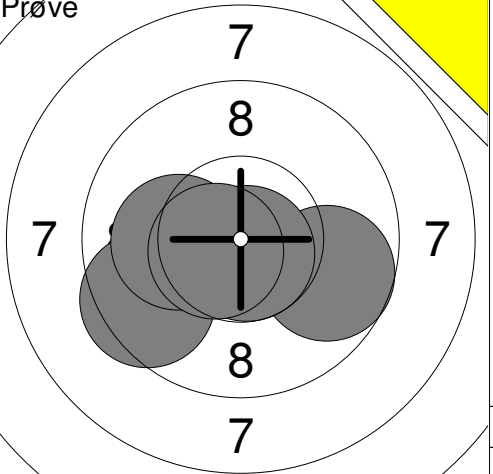


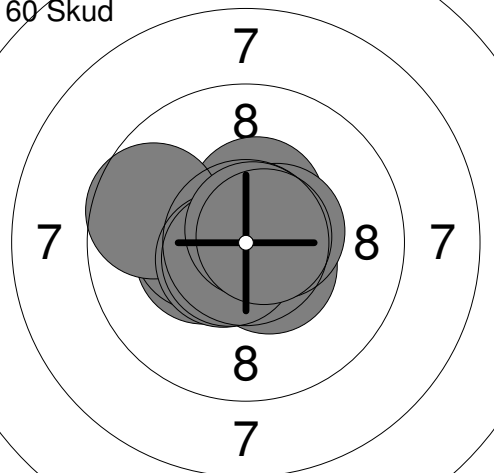
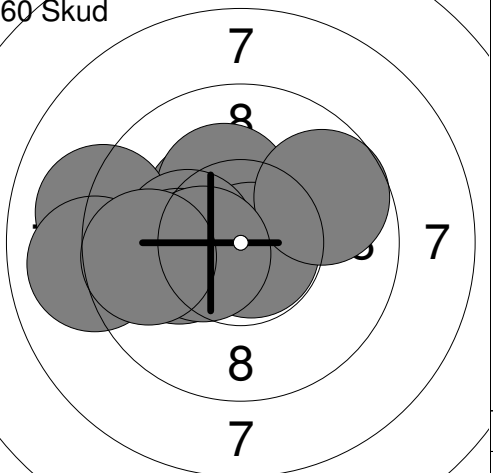
<p>Prøve</p>	<p>1: 9.8 ↘ 2: 10.3x ↘ 3: 10.7x ↗ 4: 10.1 ← 5: 10.5x ↘ 6: 7.6 → 7: 9.6 ← 8: 10.4x ↙ 9: 9.8 ← 10: 10.1 ↘</p> <p>Serie 98.9 Total 0.0</p>	<p>Prøve</p>	<p>11: 10.6x ↖ 12: 10.3x ↑ 13: 10.4x ↙ 14: 10.8x ↘ 15: 10.7x ↙ 16: 10.5x ↗ 17: 10.3x ↑ 18: 10.9x →</p> <p>Serie 84.5 Total 0.0</p>
--------------	---	--------------	--

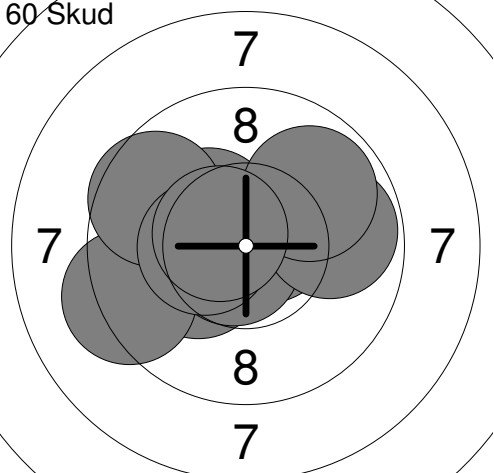
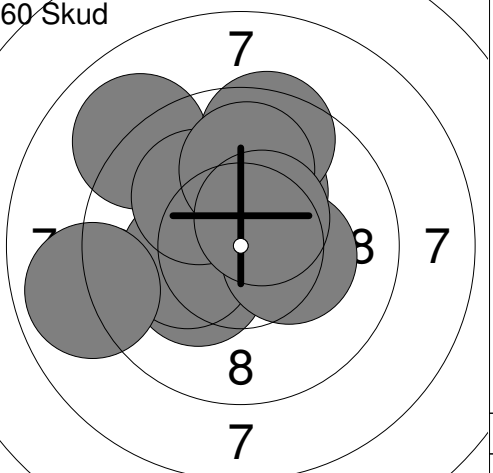
<p>60 Skud</p>	<p>1: 9.6 → 2: 10.6x → 3: 10.9x → 4: 10.6x ↗ 5: 10.7x ↙ 6: 9.7 → 7: 10.3x ↗ 8: 10.6x ↘ 9: 10.3x ← 10: 10.4x →</p> <p>Serie 103.7 Total 103.7</p>	<p>60 Skud</p>	<p>11: 10.2x → 12: 10.3x ↑ 13: 10.8x ↑ 14: 10.7x ← 15: 10.1 → 16: 10.3x ← 17: 10.8x ↑ 18: 10.6x ↑ 19: 10.7x ↑ 20: 9.7 ↖</p> <p>Serie 104.2 Total 207.9</p>
----------------	--	----------------	--

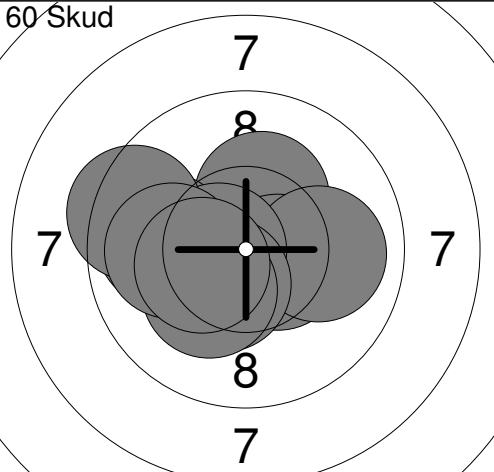
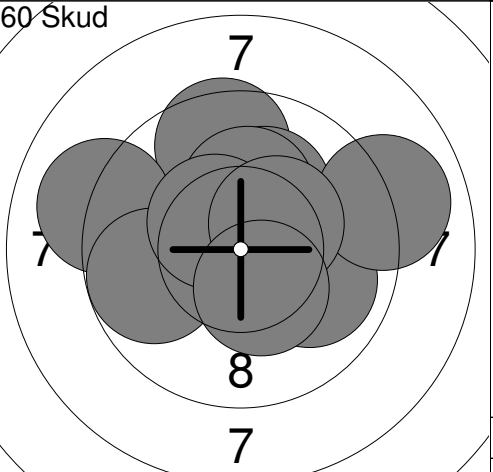
<p>60 Skud</p>	<p>21: 10.3x ↘ 22: 10.3x → 23: 10.7x ← 24: 9.7 ↗ 25: 10.4x → 26: 10.1 ↖ 27: 10.3x ↙ 28: 10.8x → 29: 10.2x ↗ 30: 10.6x ↘</p> <p>Serie 103.4 Total 311.3</p>	<p>60 Skud</p>	<p>31: 10.4x → 32: 10.1 → 33: 10.3x ↑ 34: 10.6x ↘ 35: 10.5x ↙ 36: 10.1 ↙ 37: 10.0 ↘ 38: 9.8 → 39: 10.7x ↗ 40: 9.6 →</p> <p>Serie 102.1 Total 413.4</p>
----------------	--	----------------	--

<p>60 Skud</p>	<p>41: 9.0 ↗ 42: 9.9 ↘ 43: 10.3x ↘ 44: 10.3x ↗ 45: 9.6 → 46: 9.7 ← 47: 10.1 ↙ 48: 10.5x → 49: 10.3x ↙ 50: 10.2x ↖</p> <p>Serie 99.9 Total 513.3</p>	<p>60 Skud</p>	<p>51: 10.3x ↘ 52: 10.3x ↗ 53: 10.0 ↖ 54: 10.6x ↘ 55: 10.8x → 56: 10.2x ← 57: 10.1 ← 58: 10.6x ↗ 59: 10.8x ↘ 60: 9.0 →</p> <p>Serie 102.7 Total 616.0</p>
----------------	---	----------------	---

<p>Prøve</p> 	<p>1: 9.1 ↘ 2: 8.1 ↘ 3: 8.6 ↘ 4: 9.6 ↘ 5: 9.3 ← 6: 9.1 ↘ 7: 9.7 ↘ 8: 10.2x ↘ 9: 10.4x ↘ 10: 10.4x ↘</p> <p>Serie 94.5 Total 0.0</p>	<p>Prøve</p> 	<p>11: 9.7 → 12: 9.5 ← 13: 10.7x ↘ 14: 10.1 ← 15: 10.6x ←</p> <p>Serie 50.6 Total 0.0</p>
---	---	---	---

<p>60 Skud</p> 	<p>1: 10.4x ← 2: 10.4x ↑ 3: 10.4x ← 4: 10.5x ↘ 5: 9.7 ← 6: 10.6x ← 7: 10.6x ← 8: 10.5x → 9: 10.8x ↑ 10: 10.7x →</p> <p>Serie 104.6 Total 104.6</p>	<p>60 Skud</p> 	<p>11: 10.3x ↖ 12: 10.2x ↑ 13: 10.8x ↘ 14: 9.7 → 15: 9.1 ← 16: 10.3x ← 17: 10.1 ← 18: 9.0 ← 19: 10.4x ← 20: 9.7 ←</p> <p>Serie 99.6 Total 204.2</p>
--	--	--	---

<p>60 Skud</p> 	<p>21: 10.7x → 22: 10.3x ↖ 23: 10.2x ← 24: 9.3 ← 25: 9.6 ↖ 26: 10.7x ↘ 27: 9.8 → 28: 9.9 ↗ 29: 10.4x ← 30: 10.6x ↖</p> <p>Serie 101.5 Total 305.7</p>	<p>60 Skud</p> 	<p>31: 10.2x ↘ 32: 10.2x ↑ 33: 10.2x ← 34: 9.0 ↖ 35: 9.5 ↑ 36: 10.3x → 37: 10.1 ↗ 38: 9.9 ↑ 39: 8.9 ← 40: 10.5x ↗</p> <p>Serie 98.8 Total 404.5</p>
---	---	---	---

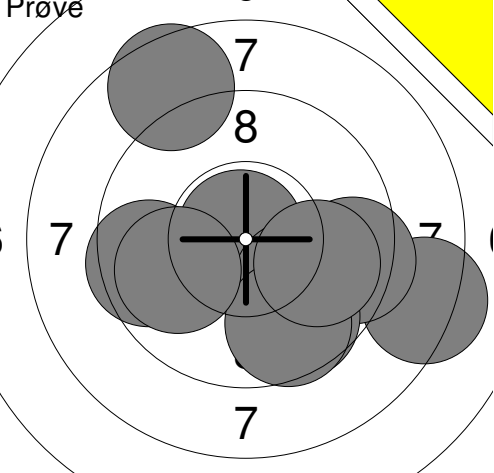
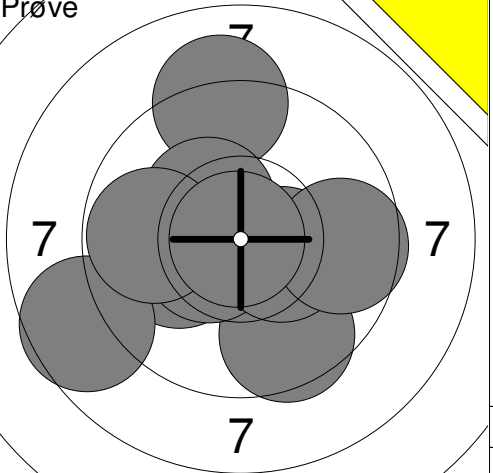
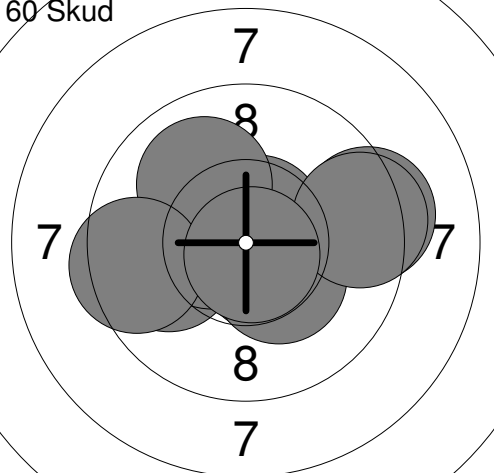
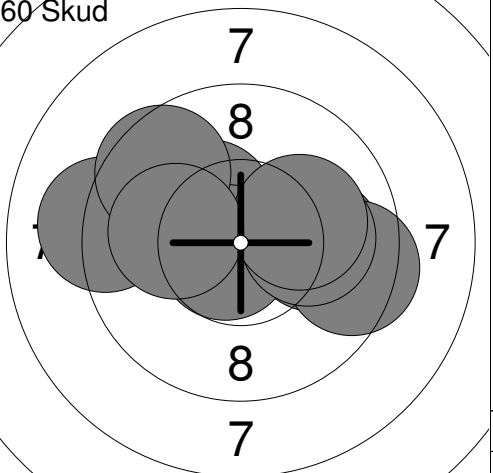
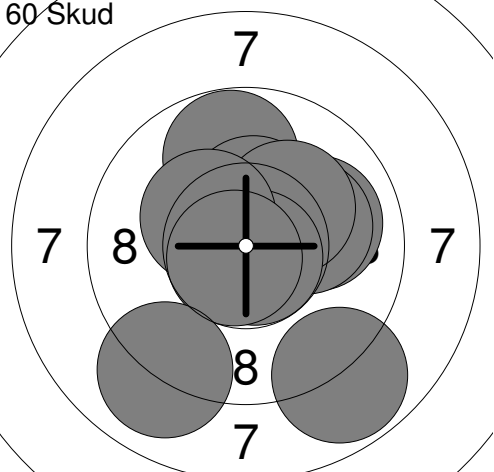
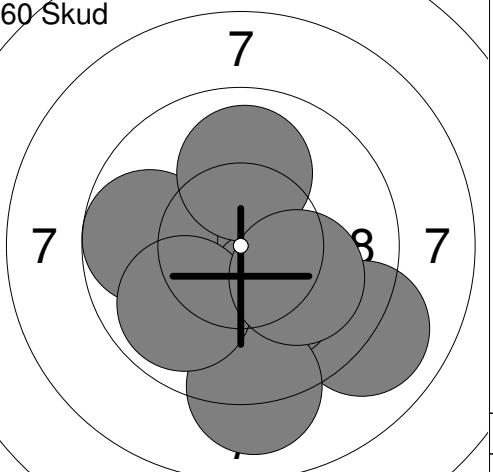
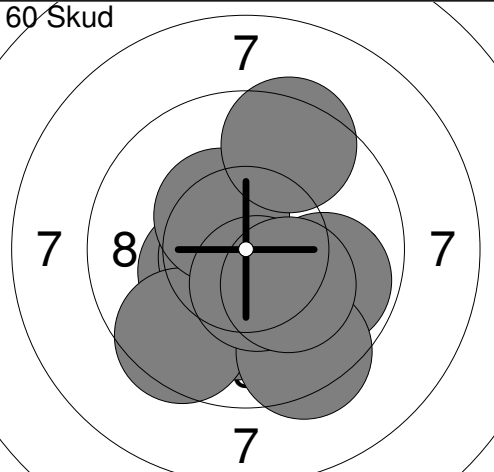
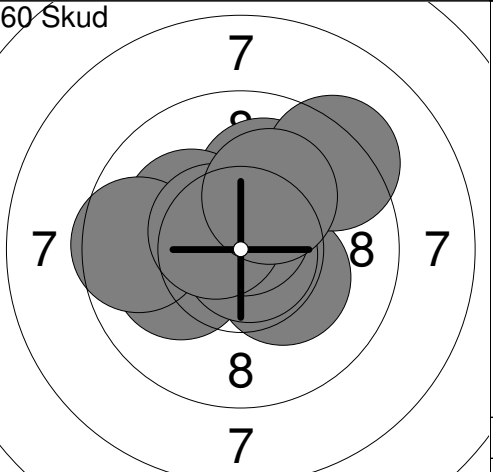
<p>60 Skud</p> 	<p>41: 10.3x ↑ 42: 10.5x → 43: 10.0 → 44: 9.9 ← 45: 10.6x ← 46: 9.4 ← 47: 10.4x ↘ 48: 10.2x ↘ 49: 10.0 ← 50: 10.3x ←</p> <p>Serie 101.6 Total 506.1</p>	<p>60 Skud</p> 	<p>51: 9.6 ↑ 52: 10.2x ↑ 53: 9.1 ← 54: 9.8 ← 55: 10.2x ↑ 56: 10.0 → 57: 10.5x ↖ 58: 9.0 → 59: 10.4x ↗ 60: 10.4x ↘</p> <p>Serie 99.2 Total 605.3</p>
---	---	---	---

<p>Prøve</p>	<p>1: 5.4 ↓ 2: 8.6 → 3: 8.8 → 4: 8.5 → 5: 10.0 → 6: 9.5 → 7: 9.5 → 8: 10.3x ↗ 9: 10.0 → 10: 10.1 ↗</p> <p>Serie 90.7 Total 0.0</p>	<p>Prøve</p>	<p>11: 10.0 ↗ 12: 10.7x → 13: 10.6x → 14: 10.5x ↓ 15: 9.5 ↓ 16: 9.2 → 17: 10.7x ↗ 18: 10.2x ↓ 19: 10.7x ↗ 20: 10.2x ↓</p> <p>Serie 102.3 Total 0.0</p>
--------------	--	--------------	--

<p>60 Skud</p>	<p>1: 10.0 ↓ 2: 9.9 ← 3: 10.6x ↗ 4: 9.8 ↓ 5: 9.6 ← 6: 9.0 ← 7: 10.5x ↓ 8: 10.1 ← 9: 9.7 ↓ 10: 9.9 ↓</p> <p>Serie 99.1 Total 99.1</p>	<p>60 Skud</p>	<p>11: 9.7 ← 12: 10.3x ↓ 13: 10.0 ← 14: 10.2x ↑ 15: 10.3x ↖ 16: 10.3x ↑ 17: 9.1 → 18: 9.9 ↓ 19: 9.0 → 20: 9.1 ←</p> <p>Serie 97.9 Total 197.0</p>
----------------	--	----------------	---

<p>60 Skud</p>	<p>21: 10.0 ↗ 22: 10.3x ← 23: 9.9 ← 24: 10.1 ← 25: 10.0 ↓ 26: 10.6x ↗ 27: 10.5x ↓ 28: 10.0 → 29: 10.7x ↗ 30: 9.6 ←</p> <p>Serie 101.7 Total 298.7</p>	<p>60 Skud</p>	<p>31: 10.7x ↖ 32: 10.5x ↖ 33: 10.0 ← 34: 9.9 ← 35: 10.6x → 36: 10.2x → 37: 10.4x ↗ 38: 10.3x → 39: 10.6x ↗ 40: 9.9 ←</p> <p>Serie 103.1 Total 401.8</p>
----------------	---	----------------	--

<p>60 Skud</p>	<p>41: 10.5x ← 42: 9.8 ↗ 43: 9.8 ↗ 44: 9.7 ← 45: 9.9 ← 46: 9.1 ← 47: 8.8 ↓ 48: 10.9x → 49: 9.9 → 50: 10.2x ↓</p> <p>Serie 98.6 Total 500.4</p>	<p>60 Skud</p>	<p>51: 9.7 ↓ 52: 9.9 → 53: 8.9 ↓ 54: 10.0 ↓ 55: 10.2x ↗ 56: 10.7x ↗ 57: 10.5x ← 58: 10.7x ← 59: 10.0 ↓ 60: 10.2x ↓</p> <p>Serie 100.8 Total 601.2</p>
----------------	--	----------------	---

<p>Prøve</p> 	<p>1: 8.3 → 2: 9.4 → 3: 9.5 ← 4: 9.6 ↓ 5: 10.8x ↗ 6: 10.0 ↓ 7: 9.6 ↓ 8: 9.9 ← 9: 9.9 → 10: 8.6 ↗</p> <p>Serie 95.6 Total 0.0</p>	<p>Prøve</p> 	<p>11: 9.6 ↓ 12: 10.1 ← 13: 9.1 ↑ 14: 8.6 ← 15: 10.5x ← 16: 10.4x → 17: 9.6 → 18: 10.3x ↗ 19: 9.8 ← 20: 10.9x ←</p> <p>Serie 98.9 Total 0.0</p>
<p>60 Skud</p> 	<p>1: 9.3 → 2: 10.6x ↓ 3: 9.9 ← 4: 10.6x ↗ 5: 10.3x ↓ 6: 10.5x ← 7: 10.0 ↗ 8: 9.4 → 9: 9.5 ← 10: 10.8x ↓</p> <p>Serie 100.9 Total 100.9</p>	<p>60 Skud</p> 	<p>11: 10.4x ← 12: 10.0 → 13: 10.3x ↗ 14: 10.7x ← 15: 9.4 → 16: 10.1 → 17: 9.1 ← 18: 10.1 → 19: 9.6 ↗ 20: 10.1 ←</p> <p>Serie 99.8 Total 200.7</p>
<p>60 Skud</p> 	<p>21: 10.0 → 22: 10.1 → 23: 8.8 ↓ 24: 9.8 ↑ 25: 10.4x ↑ 26: 10.2x ↗ 27: 10.8x ↓ 28: 10.3x ↗ 29: 10.7x ← 30: 9.0 ↓</p> <p>Serie 100.1 Total 300.8</p>	<p>60 Skud</p> 	<p>31: 10.3x ↓ 32: 10.3x ← 33: 9.0 → 34: 10.4x ← 35: 10.2x ↓ 36: 9.7 ← 37: 9.1 ↓ 38: 10.0 ↑ 39: 9.9 ← 40: 10.1 →</p> <p>Serie 99.0 Total 399.8</p>
<p>60 Skud</p> 	<p>41: 10.1 ↓ 42: 10.3x ← 43: 10.7x ← 44: 9.8 → 45: 9.5 ↓ 46: 9.4 ↓ 47: 10.4x ↗ 48: 10.5x ↓ 49: 9.5 ↑ 50: 10.2x ↓</p> <p>Serie 100.4 Total 500.2</p>	<p>60 Skud</p> 	<p>51: 10.1 ↑ 52: 10.3x → 53: 10.1 ← 54: 9.3 ↗ 55: 10.8x → 56: 10.2x ↗ 57: 10.7x ↑ 58: 9.6 ← 59: 10.5x ↗ 60: 10.2x ↗</p> <p>Serie 101.8 Total 602.0</p>